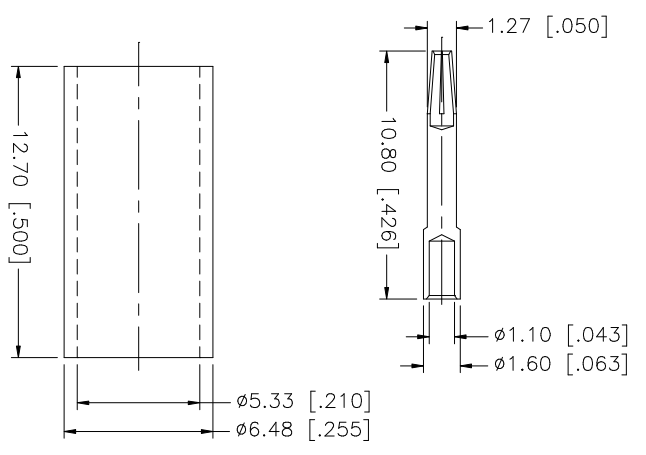
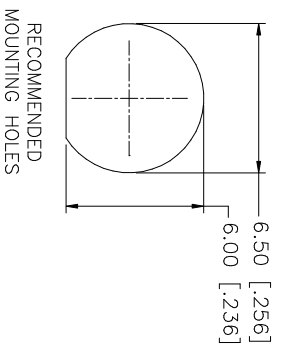
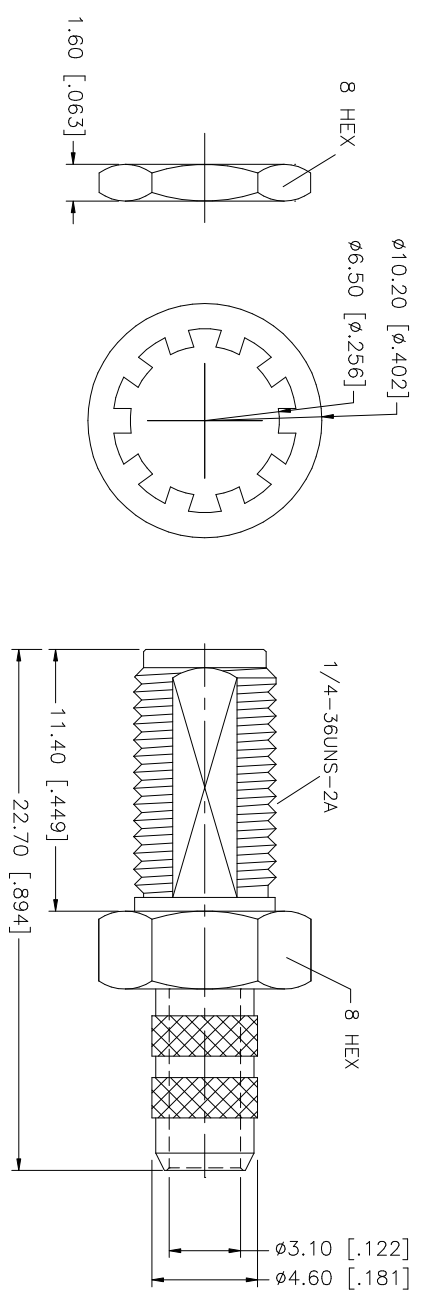
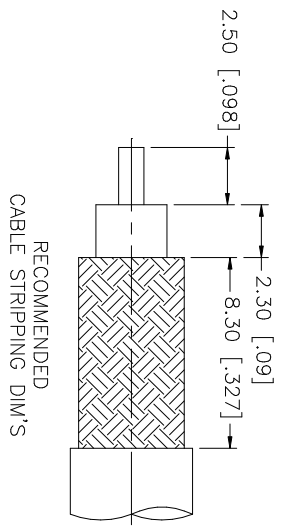


REV.	DATE	DESCRIPTION
A	01/23/04	UPDATE DRAWING FORMAT



NO.	DESCRIPTION	MATERIAL	FINISH	QTY	UNLESS OTHERWISE SPECIFIED DIMENSIONS ARE IN MILLIMETERS DIMENSIONS IN [] ARE IN INCHES AND FOR CUSTOMER REFERENCE ONLY.	APPROVALS	DATE	PART DESCRIPTION
8					UNLESS OTHERWISE SPECIFIED DIMENSIONS ARE IN MILLIMETERS DIMENSIONS IN [] ARE IN INCHES AND FOR CUSTOMER REFERENCE ONLY.			<p style="text-align: center;">Amphenol Connex</p> <p style="text-align: center;">SMA BULKHEAD CRIMP JACK (FOR RG-58C/U, 58/U CABLE)</p> <p style="text-align: center;">PART NO. 132118</p>
7					UNLESS OTHERWISE SPECIFIED TOLERANCES FOR MILLIMETERS ARE:			
6	FERRULE	COPPER	GOLD	1	0.5 - 8mm ± 0.20mm	DRAWN	01/23/04	
5	LOCK WASHER	BRASS	GOLD	1	8 - 30mm ± 0.40mm	CHECKED		
4	HEX NUT	BRASS	GOLD	1	30 - 120mm ± 0.50mm	ISSUED		
3	CONTACT PIN	BER. COPPER	GOLD	1	UNLESS OTHERWISE SPECIFIED TOLERANCES FOR INCHES ARE:	SHEET	1 OF 1	
2	INSULATOR	TEFLON	NATURAL	1	.020 - .315 = ± 0.007"			
1	BODY	BRASS	GOLD	1	.315 - 1.180 = ± 0.015" 1.180 - 4.724 = ± 0.020"			
DESCRIPTION								
MATERIAL								
FINISH								
QTY								
DO NOT SCALE DRAWING								
CAD FILE								
C:/132/132118.DWG								
DWG. NO.								
132118.DWG								
REV.								
A								
SIZE								
A								
SCALE								
NA								